



D'ANDREA®
TECHNOLOGY
FOR HIGH PRECISION

TRM Micro Boring Head Kits

with a *free* CV or BT arbor!

- Modular toolholder system
- Excellent surface finishes
- Specialized inserts for finishing
- Imperial graduations on precision heads (.0001" on diameter)
- Machine to closest tolerances
- Rigid high precision system
- Patented cylindrical-conical coupling & radial expanding pin ensures maximum rigidity & concentricity



**NEW
LOWER
PRICES!**

BUY any kit listed below...

ORDER #:

K01-TRM-50/50

~~\$1,895.00~~

\$1,795.00



Includes:

- 1 TRM-50
- 1 B3.06
- 1 B3.08
- 1 B3.11
- 1 B3.16
- 1 B3.22
- 1 PS-31.24
- 1 P-25.63
- 1 SFTP-25
- 1 SFTP-32
- 1 SFTP-50

- 1 BM10
- 1 CW32
- 5 TPGX-090202L DC100
- 1 TPGX-110302L DC100
- 2 WCGT-020102L DC100

Range: \varnothing .24 - 4.25

0.00005"
Radial Adjustment on Dial

ORDER #:

**K01-TRM-50/63 or
K01-TRM-63/63**

~~\$2,195.00~~

\$1,995.00



Includes:

- 1 TRM .. /63
- 1 B3.06
- 1 B3.08
- 1 B3.11
- 1 B3.16
- 1 B3.22
- 1 P-20.30
- 1 P-02.30
- 1 P-03.30
- 1 PS-11.30

- 1 SFTP-25
- 1 SFTP-32
- 1 SFTP-50
- 5 TPGX-090202L DC100
- 1 TPGX-110302L DC100
- 2 WCGT-020102L DC100

Range: \varnothing .24 - 4.92

0.00005"
Radial Adjustment on Dial

ORDER #:

**K01-TRM-50/80 or
K01-TRM-80/80**

~~\$2,695.00~~

\$2,395.00



Includes:

- 1 TRM .. /80
- 1 B3.06
- 1 B3.08
- 1 B3.11
- 1 B3.16
- 1 B3.22
- 1 P-20.30
- 1 P-02.30
- 1 P-03.30
- 1 P-04.30
- 1 PS-12.30
- 1 PS-13.30

- 1 SFTP-25
- 1 SFTP-32
- 1 SFTP-50
- 5 TPGX-090202L DC100
- 1 TPGX-110302L DC100
- 2 WCGT-020102L DC100

Range: \varnothing .24 - 8.67

0.00005"
Radial Adjustment on Dial

...and receive a FREE BT40/50 or CV40/50 arbor!
Regular extension length only

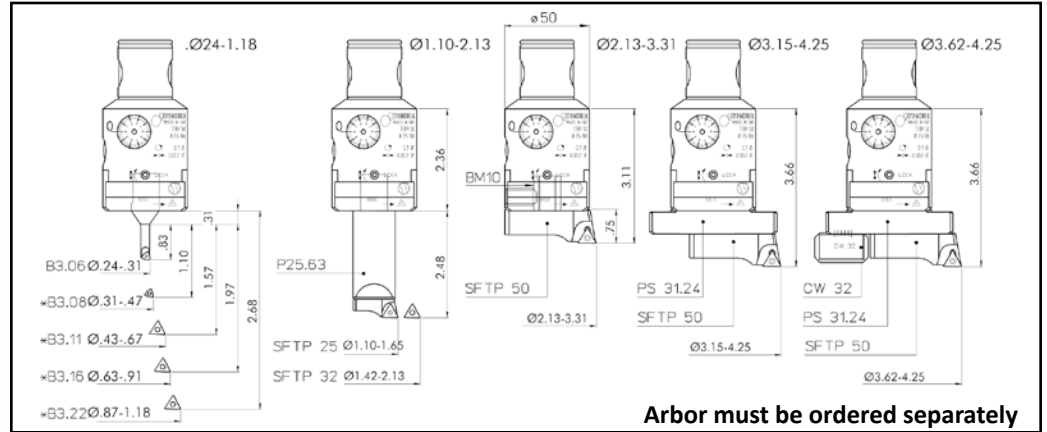
ORDER #:

K01-TRM-50/50

~~\$1,895.00~~

\$1,795.00

Range: \varnothing .24 - 4.25



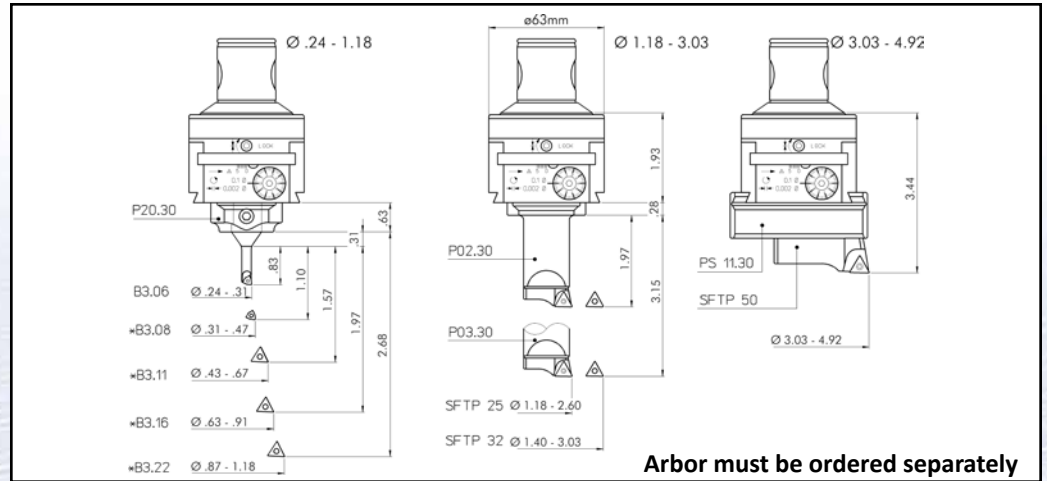
ORDER #:

**K01-TRM-50/63 or
K01-TRM-63/63**

~~\$2,195.00~~

\$1,995.00

Range: \varnothing .24 - 4.92



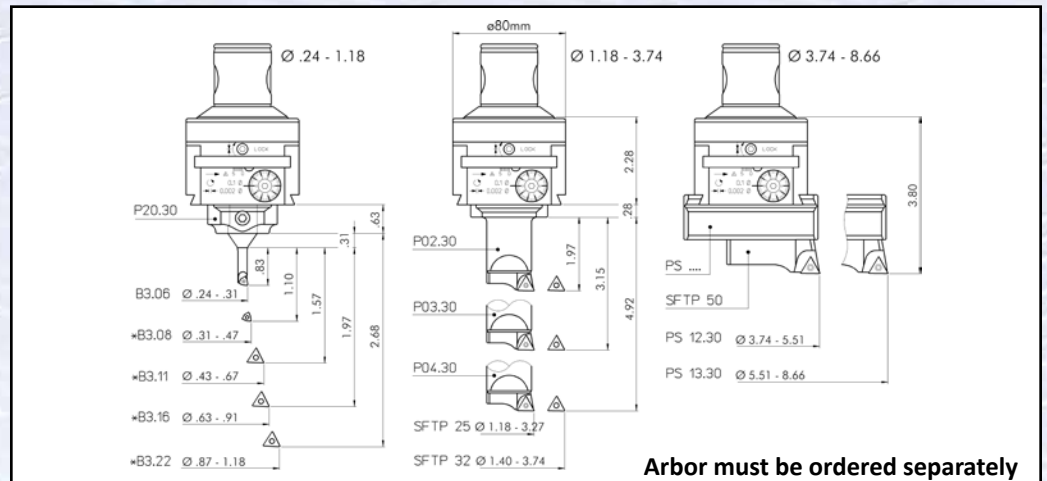
ORDER #:

**K01-TRM-50/80 or
K01-TRM-80/80**

~~\$2,695.00~~

\$2,395.00

Range: \varnothing .24 - 8.67



SPECIAL PRICING VALID UNTIL AUGUST 31ST, 2014

TYSON TOOL

TYSON TOOL COMPANY LIMITED
75 ORMONT DRIVE, TORONTO, ONTARIO, M9L-2S3
TEL: (416) 746-3688 ~ FAX: (416) 746-5415
INTERNET: www.tysonstool.com ~ E-MAIL: sales@tysonstool.com

Available From:

Specifications are subject to change without notice. No responsibility for errors and/or printing errors will be accepted.