



N/C TOOLING CLEARANCE

while quantities last



CV Collet Chucks

Designation	Type	Range	L	QTY.	Reduced
CV40					
CV40CC-ER16-6.00	ER16	1/64" - 3/8" 0.5mm - 10mm	6.00	8	\$109.95
CV40CC-ER20-2.75			2.75	9	\$99.95
CV40CC-ER20-4.00	ER20	1/16" - 1/2" 1mm - 13mm	4.00	1	\$109.95
CV40CC-ER20-6.00			6.00	13	\$119.95
CV40CC-ER25-2.75			2.75	79	\$79.95
CV40CC-ER25-4.00	ER25	1/32" - 5/8" 1mm - 16mm	4.00	8	\$89.95
CV40CC-ER25-6.00			6.00	15	\$109.95
CV40CC-ER25-6.30			6.30	43	\$129.95
CV40CC-ER32-3.00			3.00	43	\$99.95
CV40CC-ER32-6.00	ER32	5/64" - 3/4" 2mm - 20mm	6.00	16	\$99.95
CV40CC-ER32-6.30			6.30	22	\$129.95
CV40CC-ER40-4.75	ER40	1/8" - 1.0" 3mm - 26mm	4.75	98	\$89.95
CV40CC-ER40-6.00			6.00	118	\$99.95
CV40CC-ER40-6.30			6.30	44	\$129.95
CV50					
CV50CC-ER16-4.00	ER16	1/64" - 3/8" 0.5mm - 10mm	4.00	3	\$149.95
CV50CC-ER16-6.00			6.00	2	\$179.95
CV50CC-ER16-8.00			8.00	2	\$199.95
CV50CC-ER25-2.75			2.75	25	\$129.95
CV50CC-ER25-4.00	ER25	1/32" - 5/8" 1mm - 16mm	4.00	10	\$149.95
CV50CC-ER25-6.00			6.00	7	\$179.95
CV50CC-ER25-8.00			8.00	15	\$199.95
CV50CC-ER32-3.00			3.00	23	\$129.95
CV50CC-ER32-4.25	ER32	5/64" - 3/4" 2mm - 20mm	4.25	15	\$159.95
CV50CC-ER32-8.00			8.00	15	\$199.95
CV50CC-ER40-4.00	ER40	1/8" - 1.0" 3mm - 26mm	4.00	16	\$159.95
CV50CC-ER40-6.00			6.00	17	\$179.95
CV50CC-ER40-8.00			8.00	6	\$199.95



CV End Mill Holders

Designation	bore	length	QTY.	Reduced
CV40				
CV40EM-0250-2.50	.250	2.50	142	\$59.95
CV40EM-0375-2.50		2.50	29	\$49.95
CV40EM-0375-4.00	.375	4.00	58	\$59.95
CV40EM-0375-6.00		6.00	9	\$89.95
CV40EM-0500-1.50		1.50	55	\$49.95
CV40EM-0500-2.50	.500	2.50	3	\$69.95
CV40EM-0500-6.00		6.00	3	\$79.95
CV40EM-0625-1.50	.625	1.50	161	\$59.95
CV40EM-0625-3.00		3.00	25	\$69.95
CV40EM-0625-4.50		4.50	6	\$59.95
CV40EM-0625-6.00		6.00	5	\$99.95
CV40EM-0750-1.75	.750	1.75	4	\$69.95
CV40EM-0750-3.00		3.00	22	\$69.95
CV40EM-1000-1.75	1.000	1.75	27	\$49.95
CV40EM-1000-4.00		4.00	9	\$79.95
CV40EM-1000-6.00		6.00	4	\$89.95
CV40EM-1250-4.00	1.250	4.00	2	\$79.95
CV40EM-1250-6.00		6.00	12	\$89.95
CV50				
CV50EM-0250-2.50	.250	2.50	118	\$59.95
CV50EM-0250-4.00		4.00	12	\$79.95
CV50EM-0375-2.50	.375	2.50	10	\$79.95
CV50EM-0375-4.00		4.00	6	\$99.95



BT Collet Chucks

Designation	Type	Range	L	QTY.	Reduced
BT40					
BT40CC-ER16-2.37	ER16	1/64" - 3/8" 0.5mm - 10mm	2.37	73	\$85.95
BT40CC-ER16-6.30			6.30	3	\$119.95
BT40CC-ER25-2.56			2.56	18	\$85.95
BT40CC-ER25-4.00	ER25	1/32" - 5/8" 1mm - 16mm	4.00	5	\$99.95
BT40CC-ER25-6.30			6.30	13	\$119.95
BT40CC-ER32-2.75			2.75	8	\$99.95
BT40CC-ER32-4.33	ER32	5/64" - 3/4" 2mm - 20mm	4.33	22	\$99.95
BT40CC-ER32-6.30			6.30	10	\$119.95
BT40CC-ER40-3.15	ER40	1/8" - 1.0" 3mm - 26mm	3.15	17	\$89.95
BT40CC-ER40-4.75			4.75	41	\$109.95
BT40CC-ER40-6.30			6.30	29	\$129.95
BT50					
BT50CC-ER16-4.00	ER16	1/64" - 3/8" 0.5mm - 10mm	4.00	5	\$169.95
BT50CC-ER16-6.30			6.30	4	\$199.95
BT50CC-ER25-3.00			3.00	3	\$149.95
BT50CC-ER25-4.33	ER25	1/32" - 5/8" 1mm - 16mm	4.33	1	\$169.95
BT50CC-ER25-6.30			6.30	3	\$199.95
BT50CC-ER32-3.15			3.15	6	\$149.95
BT50CC-ER32-4.33	ER32	5/64" - 3/4" 2mm - 20mm	4.33	1	\$169.95
BT50CC-ER32-6.30			6.30	3	\$199.95
BT50CC-ER40-4.00	ER40	1/8" - 1.0" 3mm - 26mm	4.00	2	\$169.95
BT50CC-ER40-6.30			6.30	3	\$199.95



CV Shell Mill Holders with Coolant Through

Designation	pilot	length	QTY.	Reduced
CV40				
CV40SM-0750-2.00	.750	2.00	207	\$79.95
CV40SM-0750-4.00		4.00	41	\$99.95
CV40SM-1000-4.00	1.000	4.00	25	\$99.95
CV40SM-1250-2.17		2.17	3	\$99.95
CV40SM-1250-2.25	1.250	2.25	65	\$89.95
CV40SM-1250-4.00		4.00	75	\$99.95
CV40SM-1500-2.25	1.500	2.25	48	\$99.95
CV40SM-1500-4.00		4.00	98	\$109.95
CV50				
CV50SM-0750-2.00	.750	2.00	65	\$99.95
CV50SM-0750-4.00		4.00	10	\$99.95
CV50SM-0750-6.00		6.00	4	\$129.95
CV50SM-1000-2.00	1.000	2.00	70	\$99.95
CV50SM-1000-4.00		4.00	16	\$109.95
CV50SM-1000-6.00		6.00	25	\$119.95
CV50SM-1250-2.25		2.25	61	\$99.95
CV50SM-1250-4.00	1.250	4.00	59	\$109.95
CV50SM-1250-6.00		6.00	69	\$129.95
CV50SM-1500-2.25	1.500	2.25	14	\$109.95
CV50SM-1500-4.00		4.00	23	\$119.95
CV50SM-1500-6.00		6.00	34	\$129.95



BT40 End Mill Holders

Designation	bore	length	QTY.	Reduced
BT40EM-0250-2.50	.250	2.50	124	\$69.95
BT40EM-0375-2.50	.375	2.50	84	\$69.95
BT40EM-0500-1.50	.500	1.50	62	\$69.95
BT40EM-0625-1.50	.625	1.50	116	\$69.95
BT40EM-0750-1.75	.750	1.75	119	\$69.95
BT40EM-1000-1.75	1.000	1.75	126	\$69.95



BT40 Shell Mill Holders with Coolant Through

Designation	pilot	length	QTY.	Reduced
BT40SM-0750-2.00	.750	2.00	156	\$69.95
BT40SM-0750-4.00		4.00	5	\$79.95
BT40SM-1000-2.00	1.000	2.00	5	\$79.95
BT40SM-1000-4.00		4.00	76	\$79.95
BT40SM-1250-2.17		2.17	18	\$99.95
BT40SM-1250-2.25	1.250	2.25	80	\$99.95
BT40SM-1250-4.00		4.00	84	\$99.95

PRICING EXPIRES AUGUST 31ST, 2012



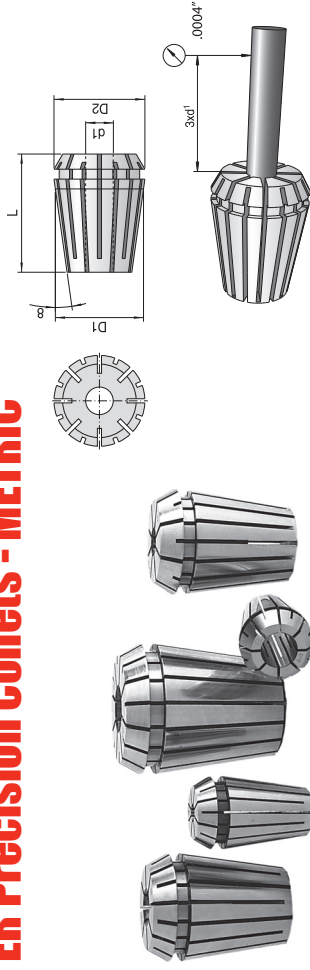
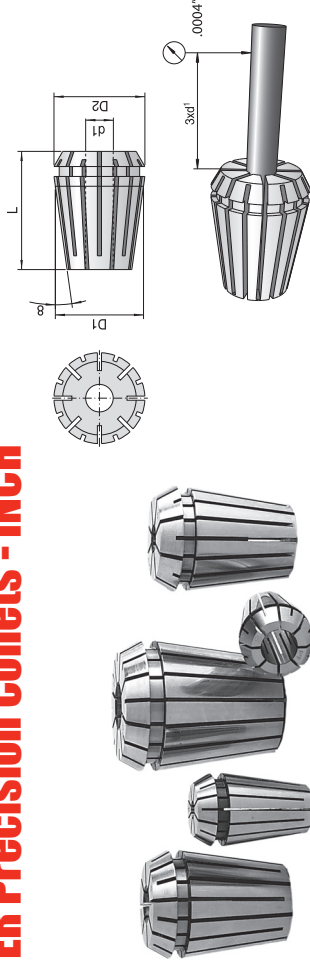
TYSON TOOL COMPANY LIMITED
75 ORMONT DRIVE, TORONTO, ONTARIO, M9L 2S3
TEL: (416) 746-3688 ~ FAX: (416) 746-5415
INTERNET: www.tysontool.com ~ E-MAIL: sales@tysontool.com

Available From:

Last Updated: 05/10/2012

ER Precision Collets - INCH

ER Precision Collets - METRIC



DIN 6499-B		ER16	ER20	ER25	ER32	ER40
d' Range	inch	1/64 - 3/8	3/64 - 1/2	1/32 - 5/8	5/64 - 3/4	1/8 - 1.0
	metric	0.5 - 10.0	1.0 - 13.0	1.0 - 16.0	2.0 - 20.0	3.0 - 26.0
D'		.629	.787	.984	1.259	1.574
	D ²	.669	.826	1.023	1.299	1.614
L		1.082	1.24	1.338	1.574	1.811
d' range (inch)		ER16	ER20	ER25	ER32	ER40
1/16		ER16P-0063	ER20P-0063	ER25P-0063	ER32P-0063	ER40P-0063
3/32		ER16P-0094	ER20P-0094	ER25P-0094	ER32P-0094	ER40P-0094
1/8		ER16P-0125	ER20P-0125	ER25P-0125	ER32P-0125	ER40P-0125
5/32		ER16P-0156	ER20P-0156	ER25P-0156	ER32P-0156	ER40P-0156
3/16		ER16P-0188	ER20P-0188	ER25P-0188	ER32P-0188	ER40P-0188
7/32		ER16P-0219	ER20P-0219	ER25P-0219	ER32P-0219	ER40P-0219
1/4		ER16P-0250	ER20P-0250	ER25P-0250	ER32P-0250	ER40P-0250
9/32		ER16P-0281	ER20P-0281	ER25P-0281	ER32P-0281	ER40P-0281
5/16		ER16P-0313	ER20P-0313	ER25P-0313	ER32P-0313	ER40P-0313
11/32		ER16P-0344	ER20P-0344	ER25P-0344	ER32P-0344	ER40P-0344
3/8		ER16P-0375	ER20P-0375	ER25P-0375	ER32P-0375	ER40P-0375
13/32		ER16P-0406	ER20P-0406	ER25P-0406	ER32P-0406	ER40P-0406
7/16		ER16P-0438	ER20P-0438	ER25P-0438	ER32P-0438	ER40P-0438
15/32		ER16P-0469	ER20P-0469	ER25P-0469	ER32P-0469	ER40P-0469
1/2		ER16P-0500	ER20P-0500	ER25P-0500	ER32P-0500	ER40P-0500
17/32		ER16P-0531	ER20P-0531	ER25P-0531	ER32P-0531	ER40P-0531
9/16		ER16P-0563	ER20P-0563	ER25P-0563	ER32P-0563	ER40P-0563
19/32		ER16P-0594	ER20P-0594	ER25P-0594	ER32P-0594	ER40P-0594
5/8		ER16P-0625	ER20P-0625	ER25P-0625	ER32P-0625	ER40P-0625
21/32		ER16P-0656	ER20P-0656	ER25P-0656	ER32P-0656	ER40P-0656
11/16		ER16P-0688	ER20P-0688	ER25P-0688	ER32P-0688	ER40P-0688
23/32		ER16P-0719	ER20P-0719	ER25P-0719	ER32P-0719	ER40P-0719
3/4		ER16P-0750	ER20P-0750	ER25P-0750	ER32P-0750	ER40P-0750
25/32		ER16P-0781	ER20P-0781	ER25P-0781	ER32P-0781	ER40P-0781
13/16		ER16P-0813	ER20P-0813	ER25P-0813	ER32P-0813	ER40P-0813
27/32		ER16P-0844	ER20P-0844	ER25P-0844	ER32P-0844	ER40P-0844
7/8		ER16P-0875	ER20P-0875	ER25P-0875	ER32P-0875	ER40P-0875
29/32		ER16P-0906	ER20P-0906	ER25P-0906	ER32P-0906	ER40P-0906
15/16		ER16P-0938	ER20P-0938	ER25P-0938	ER32P-0938	ER40P-0938
31/32		ER16P-0969	ER20P-0969	ER25P-0969	ER32P-0969	ER40P-0969
1		ER16P-1000	ER20P-1000	ER25P-1000	ER32P-1000	ER40P-1000

Collet Series**SPECIAL**

ER16P **\$19.95 ea.**

ER20P **\$19.95 ea.**

ER25P **\$20.95 ea.**

ER32P **\$22.95 ea.**

ER40P **\$24.95 ea.**

DIN 6499-B		ER16	ER20	ER25	ER32	ER40
d' Range	inch	1/64 - 3/8	3/64 - 1/2	1/32 - 5/8	5/64 - 3/4	1/8 - 1.0
	metric	0.5 - 10.0	1.0 - 13.0	1.0 - 16.0	2.0 - 20.0	3.0 - 26.0
D'		.629	.787	.984	1.259	1.574
	D ²	.669	.826	1.023	1.299	1.614
L		1.082	1.24	1.338	1.574	1.811
d' range (metric)		ER16	ER20	ER25	ER32	ER40
1.0 - 0.5		ER16P-010	ER20P-010	ER25P-010	ER32P-010	ER40P-010
2.0 - 1.0		ER16P-020	ER20P-020	ER25P-020	ER32P-020	ER40P-020
3.0 - 2.0		ER16P-030	ER20P-030	ER25P-030	ER32P-030	ER40P-030
4.0 - 3.0		ER16P-040	ER20P-040	ER25P-040	ER32P-040	ER40P-040
5.0 - 4.0		ER16P-050	ER20P-050	ER25P-050	ER32P-050	ER40P-050
6.0 - 5.0		ER16P-060	ER20P-060	ER25P-060	ER32P-060	ER40P-060
7.0 - 6.0		ER16P-070	ER20P-070	ER25P-070	ER32P-070	ER40P-070
8.0 - 7.0		ER16P-080	ER20P-080	ER25P-080	ER32P-080	ER40P-080
9.0 - 8.0		ER16P-090	ER20P-090	ER25P-090	ER32P-090	ER40P-090
10.0 - 9.0		ER16P-100	ER20P-100	ER25P-100	ER32P-100	ER40P-100
11.0 - 10.0		ER16P-110	ER20P-110	ER25P-110	ER32P-110	ER40P-110
12.0 - 11.0		ER16P-120	ER20P-120	ER25P-120	ER32P-120	ER40P-120
13.0 - 12.0		ER16P-130	ER20P-130	ER25P-130	ER32P-130	ER40P-130
14.0 - 13.0		ER16P-140	ER20P-140	ER25P-140	ER32P-140	ER40P-140
15.0 - 14.0		ER16P-150	ER20P-150	ER25P-150	ER32P-150	ER40P-150
16.0 - 15.0		ER16P-160	ER20P-160	ER25P-160	ER32P-160	ER40P-160
17.0 - 16.0		ER16P-170	ER20P-170	ER25P-170	ER32P-170	ER40P-170
18.0 - 17.0		ER16P-180	ER20P-180	ER25P-180	ER32P-180	ER40P-180
19.0 - 18.0		ER16P-190	ER20P-190	ER25P-190	ER32P-190	ER40P-190
20.0 - 19.0		ER16P-200	ER20P-200	ER25P-200	ER32P-200	ER40P-200
21.0 - 20.0		ER16P-210	ER20P-210	ER25P-210	ER32P-210	ER40P-210
22.0 - 21.0		ER16P-220	ER20P-220	ER25P-220	ER32P-220	ER40P-220
23.0 - 22.0		ER16P-230	ER20P-230	ER25P-230	ER32P-230	ER40P-230
24.0 - 23.0		ER16P-240	ER20P-240	ER25P-240	ER32P-240	ER40P-240
25.0 - 24.0		ER16P-250	ER20P-250	ER25P-250	ER32P-250	ER40P-250
26.0 - 25.0		ER16P-260	ER20P-260	ER25P-260	ER32P-260	ER40P-260

Collet Series**SPECIAL**

ER16P **\$19.95 ea.**

ER20P **\$19.95 ea.**

ER25P **\$20.95 ea.**

ER32P **\$22.95 ea.**

ER40P **\$24.95 ea.**

Designation	# of collets	Range	Reduced
ER16P-SET-I	7	1/16" - 1/4"	\$159 ⁹⁵
ER16P-SET-II	12	1/16" - 13/32"	\$249 ⁹⁵
ER20P-SET-I	15	1/16" - 1/2"	\$299 ⁹⁵
ER20P-SET-II	19	1/16" - 5/8"	\$399 ⁹⁵
ER32P-SET-I	22	3/32" - 3/4"	\$459 ⁹⁵
ER40P-SET-I	29	1/8" - 1.0"	\$669 ⁹⁵

Designation	# of collets	Range	Reduced
ER11P-SET	13	0.5 - 7mm	\$199 ⁹⁵
ER16P-SET	10	0.5 - 10mm	\$239 ⁹⁵
ER20P-SET	12	1 - 13mm	\$279 ⁹⁵
ER25P-SET	15	1 - 16mm	\$349 ⁹⁵
ER32P-SET	18	2 - 20mm	\$399 ⁹⁵
ER40P-SET	23	3 - 26mm	\$669 ⁹⁵

Collet Sets - INCH

Collet Sets - METRIC